



# HAWEKA®

PROPERLY CENTERED IS HALF BALANCED  
WHEEL CENTERING SOLUTIONS

## AirgoLift wheel balancer wheel lift

Designed to lift & settle wheels on the wheel balancer.

The **AIRGOLIFT** allows you to achieve the best possible positioning of the tyre on the wheel balancer shaft.

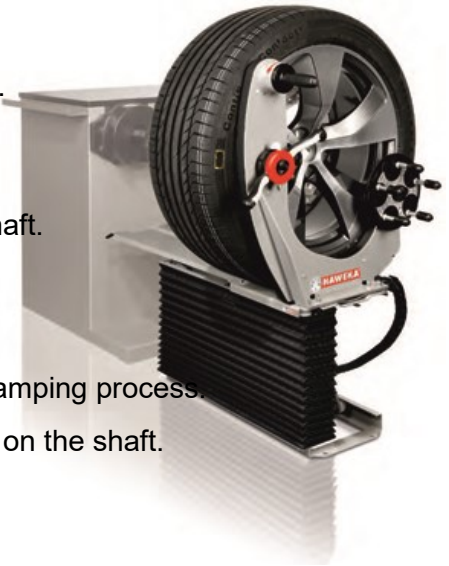
Avoids back strain lifting heavy wheels.

The wheel is always correctly clamped.

There is no force on the shaft or the wheel during the clamping process.

No false readings as a result of distortion from pressure on the shaft.

The **AIRGOLIFT** is operated by compressed air



AirgoLift ... the ideal accessory for the wheel balancer.

Flexible adjustment of lifting height.

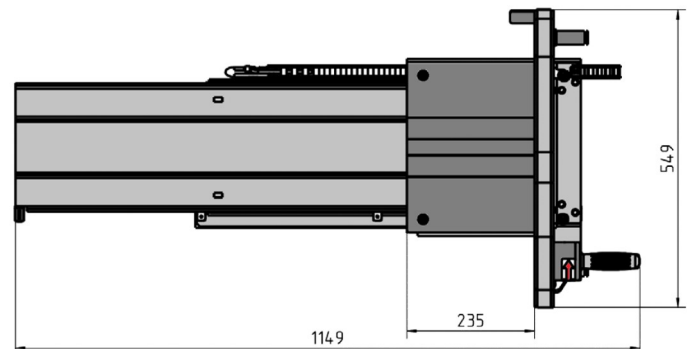
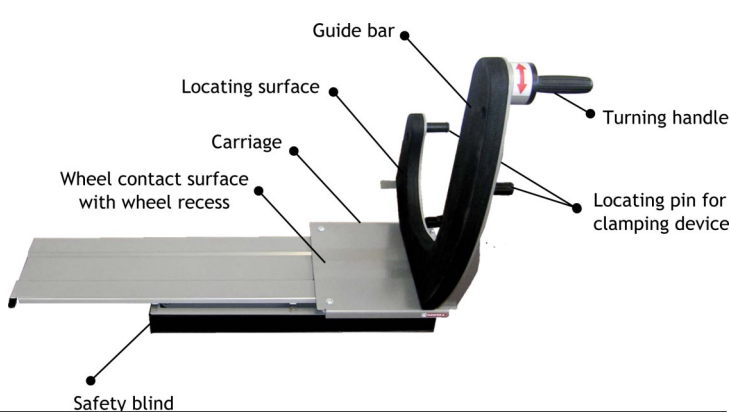
Fast operation of the lift with one hand only.

Intuitive operation with turning handle.

Ergonomic design, compressed air connection.

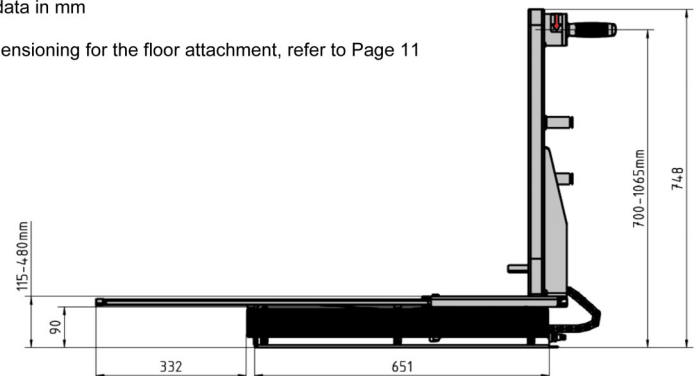
Wheel weight up to 70 kg., low height of 110 mm.

Special holder for wheel balancing adaptor.



All data in mm

Dimensioning for the floor attachment, refer to Page 11



Compressed air supply	6 – 8 bar
Operating pressure	7 bar
Max. lifting height	480 mm
Max. horizontal travel	720 mm
Max. lifting weight	70 kg
Max. wheel diameter	36 inch
Weight:	35 kg (net)