

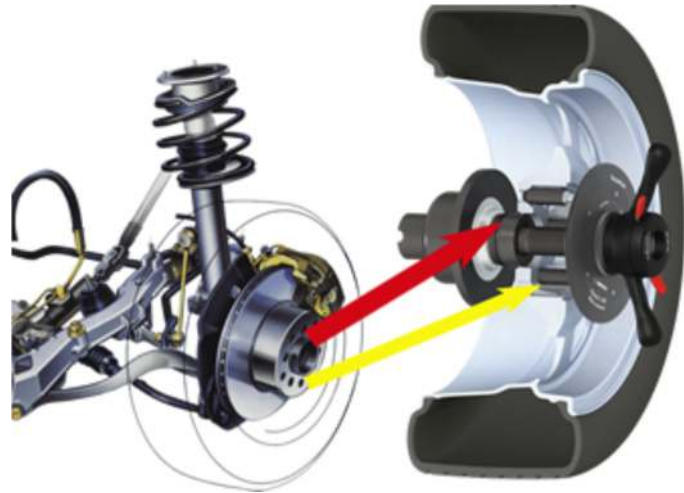


**HAWEKA®**

PROPERLY CENTERED IS HALF BALANCED

WHEEL CENTERING SOLUTIONS

## Low Taper Collets



Haweke's 3 degree taper is just enough for fast fitment into the rim centre bore.

**150 400 110** Set of 9 low taper collets with 3 degree taper and double sided.

The set consists of the following:

1. **150 400 111** 52.5 to 62.0 mm
2. **150 400 112** 61.5 to 70.0 mm
3. **150 400 113** 67,0 to 76.0 mm
4. **150 400 114** 75.0 to 83.0 mm
5. **150 400 115** 82.0 to 90.5 mm
6. **150 400 116** 89.0 to 97.5 mm
7. **150 400 117** 94.0 to 103.0 mm
8. **150 400 118** 101.0 to 111.0 mm

