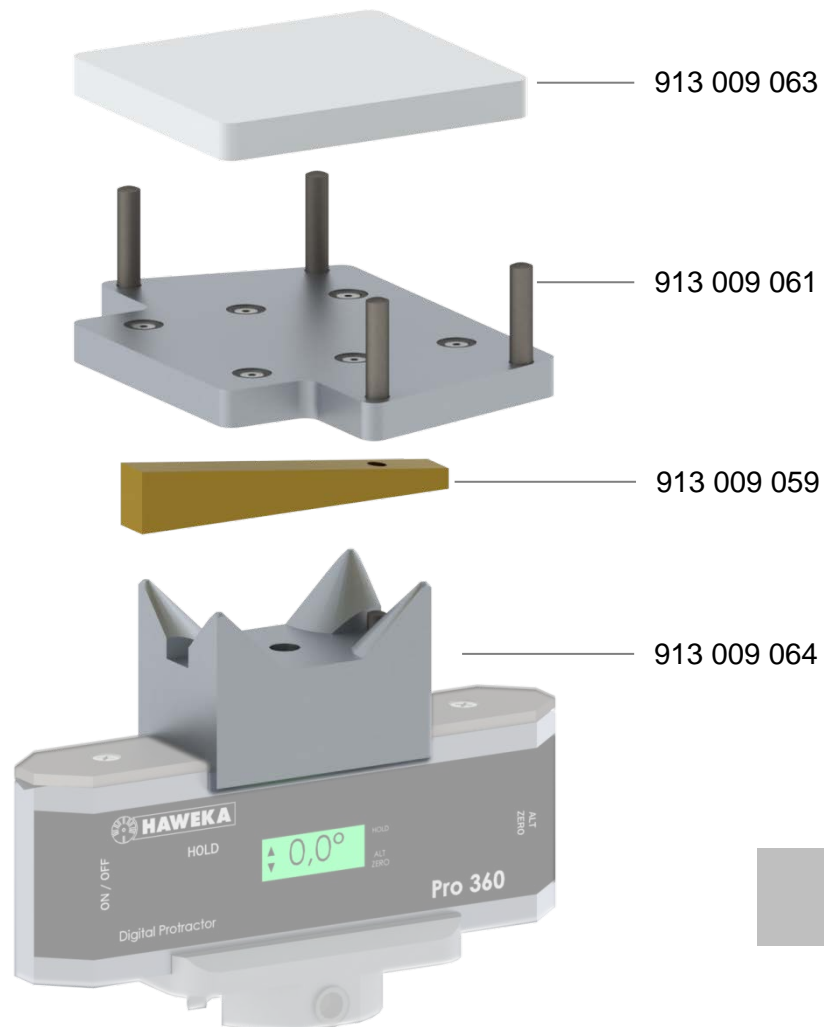


# Digital inclinometer

For Mercedes Benz vehicles to be used in electronic wheel alignment systems

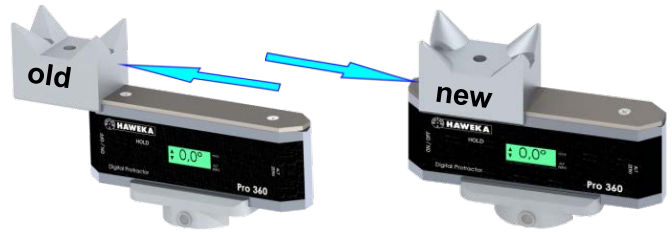
## Information for using the upgrade kit **913 009 065**



## 1. Replacing the crown adapter

Remove the existing crown adapter by sliding off the inclinometer sideways and replace it with the new crown adapter (913 009 064).

All previous applications which used the old crown adapter can now be carried out with the new crown adapter.



## 2. Using the different adapters

### 2.1 Inclinometer with crown adapter (913 009 064)

This is most commonly used combination of the inclinometer.

To determine the vehicle level, the inclinometer is positioned on the contact points of the wishbone (for the front axle) or on the driveshaft (for the rear axle).



Example front axle: Type 117 (CLA)



Example rear axle: Type 117 (CLA)



### 2.2 Inclinometer with crown adapter and angle adapter (913 009 064 + 913 009 059)

Combination for Mercedes Vaneo type 414.



### 2.3 Inclinometer with measuring adapter (913 009 064 + 913 009 061)

Combination for Mercedes Citan type 415.



Example front axle: Type 415 (Citan)



Example rear axle: Type 415 (Citan)



### 2.4 Inclinometer with adapter plate (913 009 064 + 913 009 063)

Combination for vehicle series type 211.  
Mercedes E-Class from 2002 until start of 2009.



Example rear axle: Type 211 (E-Class)




## 3. Checking the inclinometer

To check or calibrate the inclinometer, please follow the instructions in the operating manual for the inclinometer (GEB 001 017).



HAWEKA AUSTRALIA

PO BOX 2090 MALAGA WA 6944

 08 9249 4799

[info@haweka.com.au](mailto:info@haweka.com.au)

Subject to technical modifications.  
1st edition, version: 07.05.2018  
Figures: **HAWEKA AG** / D-30938 Burgwedel  
Reproduction in any form is not permitted.

V 1.1-05/18